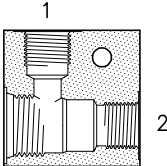
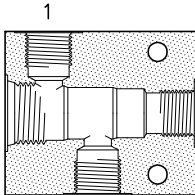
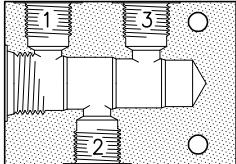
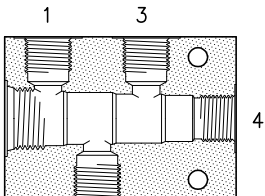
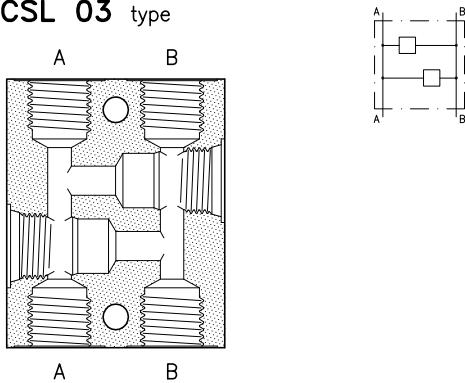
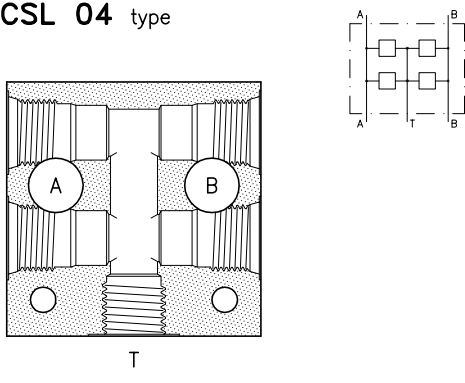
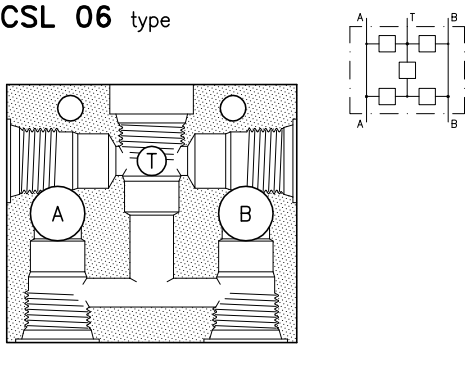
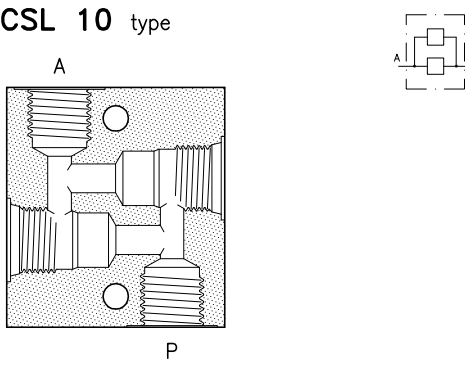


This series of bodies, realized in anodized aluminium alloy and in galvanized steel, includes all standard versions normally available. On request they can be supplied with different uses.

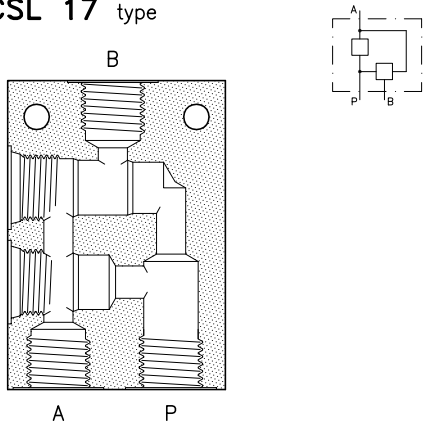
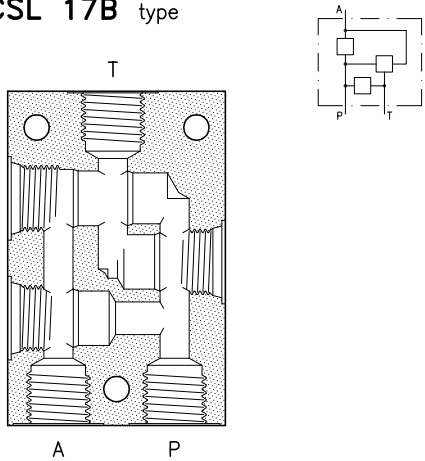
For out standard uses choicche please see technical schedule 17.010 (D - I - S type ports).

	Ordering Code Aluminium Bodies	Ordering Code Steel Bodies	Valve cavity	Ports	Technical schedule
Body LO type - 2 way 	20-LO-B05 28 144 104	20-LO-B05/FE 28 144 118	S 20/2	G 1/4 (B05)	16.010
	20-LO-B06 28 144 101	20-LO-B06/FE 28 144 119	S 20/2	G 3/8 (B06)	16.010
	28-LO-B05 28 144 128	28-LO-B05/FE 28 144 140	S 28/2	G 1/4 (B05)	16.010
	28-LO-B06 28 144 142	28-LO-B06/FE 28 144 141	S 28/2	G 3/8 (B06)	16.010
	30-LO-B06 38 144 101	30-LO-B06/FE 38 144 131	S 30/2	G 3/8 (B06)	16.010
	30-LO-B08 38 144 103	30-LO-B08/FE 38 144 132	S 30/2	G 1/2 (B08)	16.010
	50-LO-B08 58 144 100	50-LO-B08/FE 58 144 124	S 50/2	G 1/2 (B08)	16.010
	50-LO-B12 58 144 101	50-LO-B12/FE 58 144 125	S 50/2	G 3/4 (B12)	16.010
	70-LO-B16 78 144 100	70-LO-B16/FE 78 144 114	S 70/2	G 1 (B16)	16.010
	70-LO-B20 78 144 101	70-LO-B20/FE 78 144 115	S 70/2	G 1.1/4 (B20)	16.010
Body C3 type - 3 way 	20-C3-B05 28 144 102	20-C3-B05/FE 28 144 120	S 20/3	G 1/4 (B05)	16.010
	20-C3-B06 28 144 103	20-C3-B06/FE 28 144 121	S 20/3	G 3/8 (B06)	16.010
	28-C3-B05 28 144 136	28-C3-B05/FE 28 144 143	S 28/3	G 1/4 (B05)	16.010
	28-C3-B06 28 144 129	28-C3-B06/FE 28 144 144	S 28/3	G 3/8 (B06)	16.010
	30-C3-B06 38 144 102	30-C3-B06/FE 38 144 133	S 30/3	G 3/8 (B06)	16.010
	30-C3-B08 38 144 105	30-C3-B08/FE 38 144 134	S 30/3	G 1/2 (B08)	16.010
	50-C3-B08 58 144 102	50-C3-B08/FE 58 144 126	S 50/3	G 1/2 (B08)	16.010
	50-C3-B12 58 144 103	50-C3-B12/FE 58 144 127	S 50/3	G 3/4 (B12)	16.010
	70-C3-B16 78 144 102	70-C3-B16/FE 78 144 116	S 70/3	G 1 (B16)	16.010
	70-C3-B20 78 144 103	70-C3-B20/FE 78 144 117	S 70/3	G 1.1/4 (B20)	16.010
Body CC type - 3 way 	30-CC-B05 38 144 108		S 30/4	G 1/4 (B05)	16.011
	30-CC-B06 38 144 115	30-CC-B06/FE 38 144 135	S 30/4	G 3/8 (B06)	16.011
	30-CC-B08 38 144 116	30-CC-B08/FE 38 144 136	S 30/4	G 1/2 (B08)	16.011
	50-CC-B08 58 144 106	50-CC-B08/FE 58 144 128	S 50/4	G 1/2 (B08)	16.011
	50-CC-B12 58 144 107	50-CC-B12/FE 58 144 129	S 50/4	G 3/4 (B12)	16.011
Body C4 type - 4 way 	20-C4-B05 28 144 105	20-C4-B05/FE 28 144 122	S 20/4	G 1/4 (B05)	16.011
	20-C4-B06 28 144 106	20-C4-B06/FE 28 144 123	S 20/4	G 3/8 (B06)	16.011
	28-C4-B05 28 144 145	28-C4-B05/FE 28 144 146	S 28/4	G 1/4 (B05)	16.011
	28-C4-B06 28 144 147	28-C4-B06/FE 28 144 124	S 28/4	G 3/8 (B06)	16.011
	30-C4-B06 38 144 100	30-C4-B06/FE 38 144 137	S 30/4	G 3/8 (B06)	16.011
	30-C4-B08 38 144 104	30-C4-B08/FE 38 144 138	S 30/4	G 1/2 (B08)	16.011
	50-C4-B08 58 144 104	50-C4-B08/FE 58 144 130	S 50/4	G 1/2 (B08)	16.011
	50-C4-B12 58 144 105	50-C4-B12/FE 58 144 131	S 50/4	G 3/4 (B12)	16.011

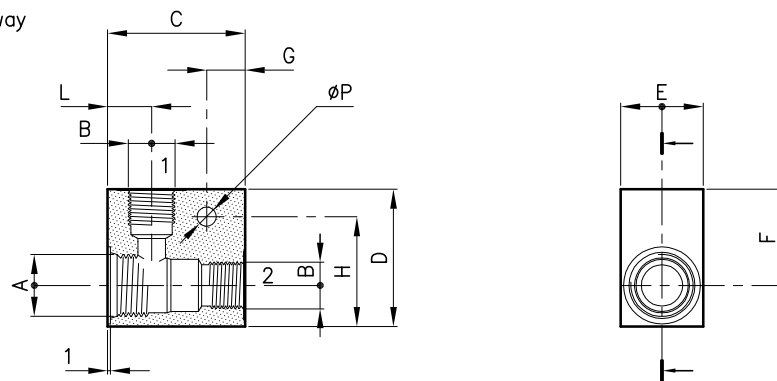
This series of bodies, realized in anodized aluminium alloy includes all standard versions normally available.
 On request they can be supplied in galvanized steel and with different uses.
 For out standard uses choiche please see technical schedule 17.010 (D - I - S type ports).
 Technical schedule - Typical cartridges used and external dimensions.

	Ordering Code Aluminium Bodies	Valve cavity	Ports	Technical schedule
Body CSL 03 type 	20-CSL 03-B05 28 144 107	S 20/2	G 1/4 (B05)	02.210
	20-CSL 03-B06 28 144 108	S 20/2	G 3/8 (B06)	02.210
	30-CSL 03-B06 38 144 122	S 30/2	G 3/8 (B06)	02.230
	30-CSL 03-B08 38 144 123	S 30/2	G 1/2 (B08)	02.230
	50-CSL 03-B08 58 144 113	S 50/2	G 1/2 (B08)	02.260
	50-CSL 03-B12 58 144 114	S 50/2	G 3/4 (B12)	02.260
	70-CSL 03-B16 78 144 104	S 70/2	G 1 (B16)	02.270
	70-CSL 03-B20 78 144 105	S 70/2	G 1.1/4 (B20)	02.270
Body CSL 04 type 	20-CSL 04-B05 28 144 150	S 20/2	G 1/4 (B05)	02.300
	20-CSL 04-B06 28 144 111	S 20/2	G 3/8 (B06)	02.300
	30-CSL 04-B06 38 144 207	S 30/2	G 3/8 (B06)	02.310
	30-CSL 04-B08 38 144 109	S 30/2	G 1/2 (B08)	02.310
	50-CSL 04-B08 58 144 147	S 50/2	G 1/2 (B08)	02.320
	50-CSL 04-B12 58 144 115	S 50/2	G 3/4 (B12)	02.320
	70-CSL 04-B16 78 144 106	S 70/2	G 1 (B16)	02.330
	70-CSL 04-B20 78 144 124	S 70/2	G 1.1/4 (B20)	02.330
Body CSL 06 type 	20-CSL 06-B05 28 144 151	S 20/2	G 1/4 (B05)	02.340
	20-CSL 06-B06 28 144 117	S 20/2	G 3/8 (B06)	02.340
	30-CSL 06-B06 38 144 208	S 30/2	G 3/8 (B06)	02.350
	30-CSL 06-B08 38 144 124	S 30/2	G 1/2 (B08)	02.350
	50-CSL 06-B08 58 144 148	S 50/2	G 1/2 (B08)	02.370
	50-CSL 06-B12 58 144 116	S 50/2	G 3/4 (B12)	02.370
	70-CSL 06-B16 78 144 107	S 70/2	G 1 (B16)	02.380
	70-CSL 06-B20 78 144 125	S 70/2	G 1.1/4 (B20)	02.380
Body CSL 10 type 	20-CSL 10-B05	S 20/2	G 1/4 (B05)	
	20-CSL 10-B06	S 20/2	G 3/8 (B06)	
	30-CSL 10-B06 38 144 127	S 30/2	G 3/8 (B06)	04.080
	30-CSL 10-B08 38 144 128	S 30/2	G 1/2 (B08)	04.080
	50-CSL 10-B08 58 144 119	S 50/2	G 1/2 (B08)	04.090
	50-CSL 10-B12 58 144 120	S 50/2	G 3/4 (B12)	04.090
	70-CSL 10-B16 78 144 110	S 70/2	G 1 (B16)	04.100
	70-CSL 10-B20 78 144 111	S 70/2	G 1.1/4 (B20)	04.100

This series of bodies, realized in anodized aluminium alloy includes all standard versions normally available. On request they can be supplied in galvanized steel and with different uses. For out standard uses choiche please see technical schedule 17.010 (D - I - S type ports). Technical schedule - Typical cartridges used and external dimensions.

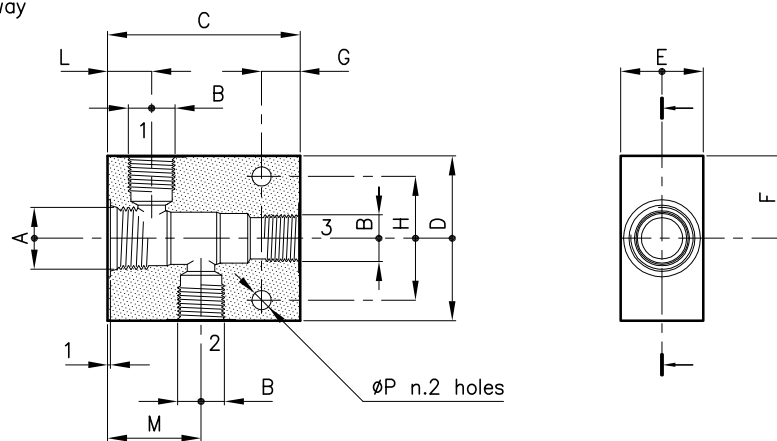
	Ordering Code Aluminium Bodies	Valve cavity	Ports	Technical schedule
<p>Body CSL 17 type</p> 	<p>30-CSL 17-B08 38 144 149</p>	<p>S 30/2 S 30/3</p>	<p>G 1/2 (B08)</p>	<p>10.180</p>
<p>Body CSL 17B type</p> 	<p>30-CSL 17B-B08 38 144 203</p>	<p>S 30/2 S 30/3</p>	<p>G 1/2 (B08)</p>	<p>10.190</p>

Body type **LO - 2 way**



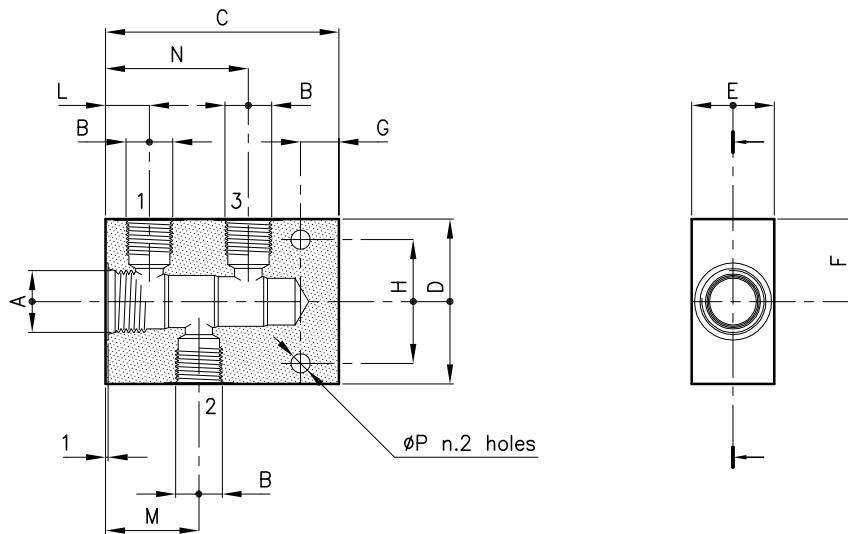
Series	Aluminium	Steel	A	B	C	D	E	F	G	H	L	M	N	P
20	20-LO-B05	..-B05/FE	S 20/2	G 1/4 (B05)	50	45	30	30	14	35	14			7
	20-LO-B06	..-B06/FE	M 18x1.5	G 3/8 (B06)	50	45	30	30	14	35	14			7
28	28-LO-B05	..-B05/FE	S 28/3	G 1/4 (B05)	50	45	30	30	14	35	16			7
	28-LO-B06	..-B06/FE	3/4-16 UNF	G 3/8 (B06)	50	45	30	30	14	35	16			7
30	30-LO-B06	..-B06/FE	S 30/2	G 3/8 (B06)	50	50	30	35	14	40	16			7
	30-LO-B08	..-B08/FE	M 22x1.5	G 1/2 (B08)	50	50	30	35	14	40	16			7
50	50-LO-B08	..-B08/FE	S 50/2	G 1/2 (B08)	70	70	45	45	14	55	22			9
	50-LO-B12	..-B12/FE	M 33x2	G 3/4 (B12)	70	70	45	45	14	55	22			9
70	70-LO-B16	..-B16/FE	S 70/2	G 1 (B16)	90	90	60	60	30	70	27			10.5
	70-LO-B20	..-B20/FE	M 42x2	G 1.1/4 (B20)	90	90	60	60	30	70	27			10.5

Body type **C3 - 3 way**



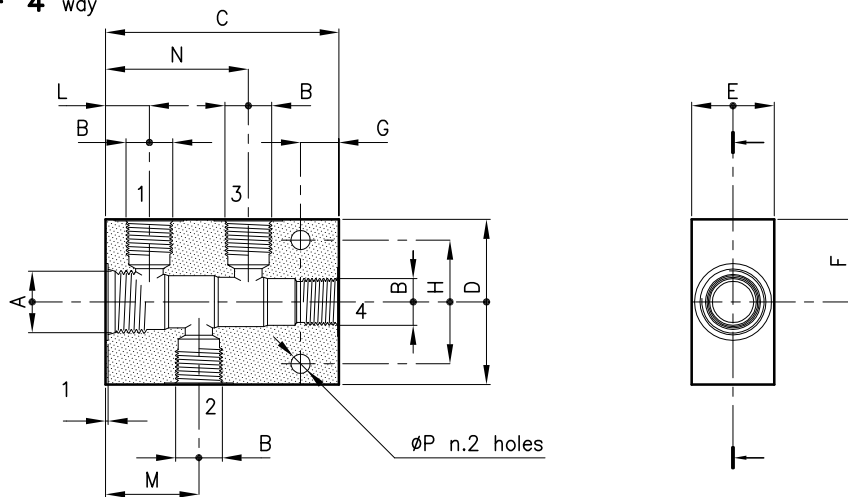
Series	Aluminium	Steel	A	B	C	D	E	F	G	H	L	M	N	P
20	20-C3-B05	..-B05/FE	S 20/3	G 1/4 (B05)	60	60	30	30	14	35	14	29		7
	20-C3-B06	..-B06/FE	M 18x1.5	G 3/8 (B06)	60	60	30	30	14	35	14	29		7
28	28-C3-B05	..-B05/FE	S 28/3	G 1/4 (B05)	60	60	30	30	14	35	16	30		7
	28-C3-B06	..-B06/FE	3/4-16 UNF	G 3/8 (B06)	60	60	30	30	14	35	16	30		7
30	30-C3-B06	..-B06/FE	S 30/3	G 3/8 (B06)	70	60	30	30	14	45	16	34		7
	30-C3-B08	..-B08/FE	M 22x1.5	G 1/2 (B08)	75	70	35	35	14	45	16	34		7
50	50-C3-B08	..-B08/FE	S 50/3	G 1/2 (B08)	90	90	45	45	14	60	22	47		9
	50-C3-B12	..-B12/FE	M 33x2	G 3/4 (B12)	90	90	45	45	14	60	22	47		9
70	70-C3-B16	..-B16/FE	S 70/3	G 1 (B16)	120	120	60	60	25	90	27	58		10.5
	70-C3-B20	..-B20/FE	M 42x2	G 1.1/4 (B20)	120	120	60	60	25	90	27	58		10.5

Body type **CC - 3** way (version for flow divider DCC series)



Series	Aluminium	Steel	A	B	C	D	E	F	G	H	L	M	N	P
30	30-CC-B05		S 30/4 M 22x1.5	G 1/4 (B05)	85	60	30	30	14	45	16	34	52	7
	30-CC-B06	..-B06/FE		G 3/8 (B06)	85	60	30	30	14	45	16	34	52	7
	30-CC-B08	..-B08/FE		G 1/2 (B08)	90	70	35	35	14	45	16	34	52	7
50	50-CC-B08	..-B08/FE	S 50/4	G 1/2 (B08)	115	90	45	45	14	60	22	47	72	9
	50-CC-B12	..-B12/FE	M 33x2	G 3/4 (B12)	115	90	45	45	14	60	22	47	72	9

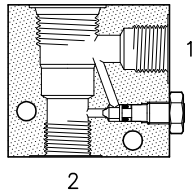
Body type **C4 - 4** way



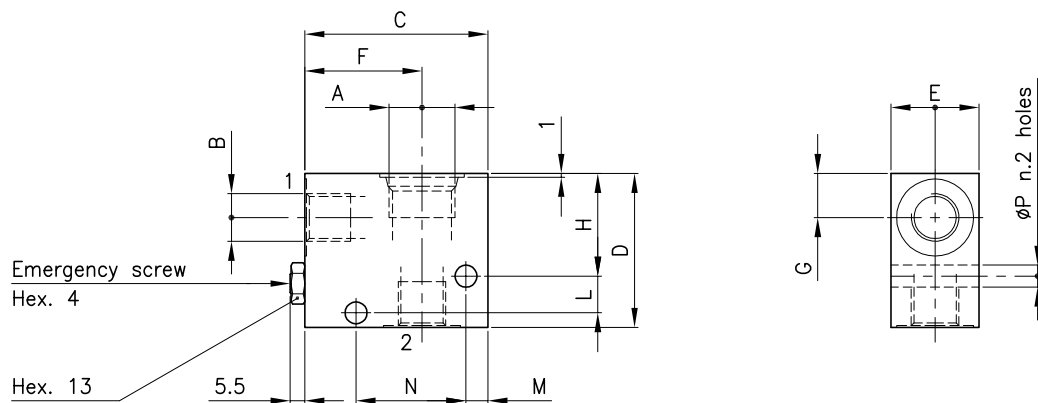
Series	Aluminium	Steel	A	B	C	D	E	F	G	H	L	M	N	P
20	20-C4-B05	..-B05/FE	S 20/4	G 1/4 (B05)	74	60	30	30	14	35	14	29	44	7
	20-C4-B06	..-B06/FE	M 18x1.5	G 3/8 (B06)	74	60	30	30	14	35	14	29	44	7
28	28-C4-B05	..-B05/FE	S 28/4	G 1/4 (B05)	74	60	30	30	14	35	16	29	44	7
	28-C4-B06	..-B06/FE	3/4-16 UNF	G 3/8 (B06)	74	60	30	30	14	35	16	29	44	7
30	30-C4-B06	..-B06/FE	S 30/4	G 3/8 (B06)	85	60	30	30	14	45	16	34	52	7
	30-C4-B08	..-B08/FE	M 22x1.5	G 1/2 (B08)	90	70	35	35	14	45	16	34	52	7
50	50-C4-B08	..-B08/FE	S 50/4	G 1/2 (B08)	115	90	45	45	14	60	22	47	72	9
	50-C4-B12	..-B12/FE	M 33x2	G 3/4 (B12)	115	90	45	45	14	60	22	47	72	9
70			S 70/3 M 42x2											

This series of bodies, realized in anodized aluminium alloy includes all standard versions normally available.
 On request they can be supplied in galvanized steel and with different uses.
 For out standard uses choiche please see technical schedule 17.010 (D - I - S type ports).

2 WAY EMERGENCY BODIES

 Body **LO/E** type - 2 way


Type	Valve cavity	Ports	Mass kg
20-LO/E-B05	S 20/2	G 1/4 (B05)	0.230
20-LO/E-B06	S 20/2	G 3/8 (B06)	0.230
28-LO/E-B06	S 28/2	G 3/8 (B06)	0.230
30-LO/E-B06	S 30/2	G 3/8 (B06)	0.270
30-LO/E-B08	S 30/2	G 1/2 (B08)	0.270
50-LO/E-B08	S 50/2	G 1/2 (B08)	0.610
50-LO/E-B12	S 50/2	G 3/4 (B12)	0.610



Series	Ordering Code	A	B	C	D	E	F	G	H	L	M	N	P
20	20-LO/E-B05 (28 111 101)	S 20/2	G 1/4 (B05)	55	50	30	35	14	30	15	6	30	6.5
	20-LO/E-B06 (28 111 102)	M 18x1.5	G 3/8 (B06)	55	50	30	35	14	30	15	6	30	6.5
28		S 28/2											
	28-LO/E-B06 (28 111 100)	3/4-16 UNF	G 3/8 (B06)	55	50	30	35	14	30	15	6	30	6.5
30	30-LO/E-B06 (38 111 137)	S 30/2	G 3/8 (B06)	60	55	30	35	16	30	20	6	40	6.5
	30-LO/E-B08 (38 111 138)	M 22x1.5	G 1/2 (B08)	60	55	30	35	16	30	20	6	40	6.5
50	50-LO/E-B08 (58 111 123)	S 50/2	G 1/2 (B08)	70	70	45	45	22	48	15	6	50	6.5
	50-LO/E-B12 (58 111 124)	M 33x2	G 3/4 (B12)	70	70	45	45	22	48	15	6	50	6.5